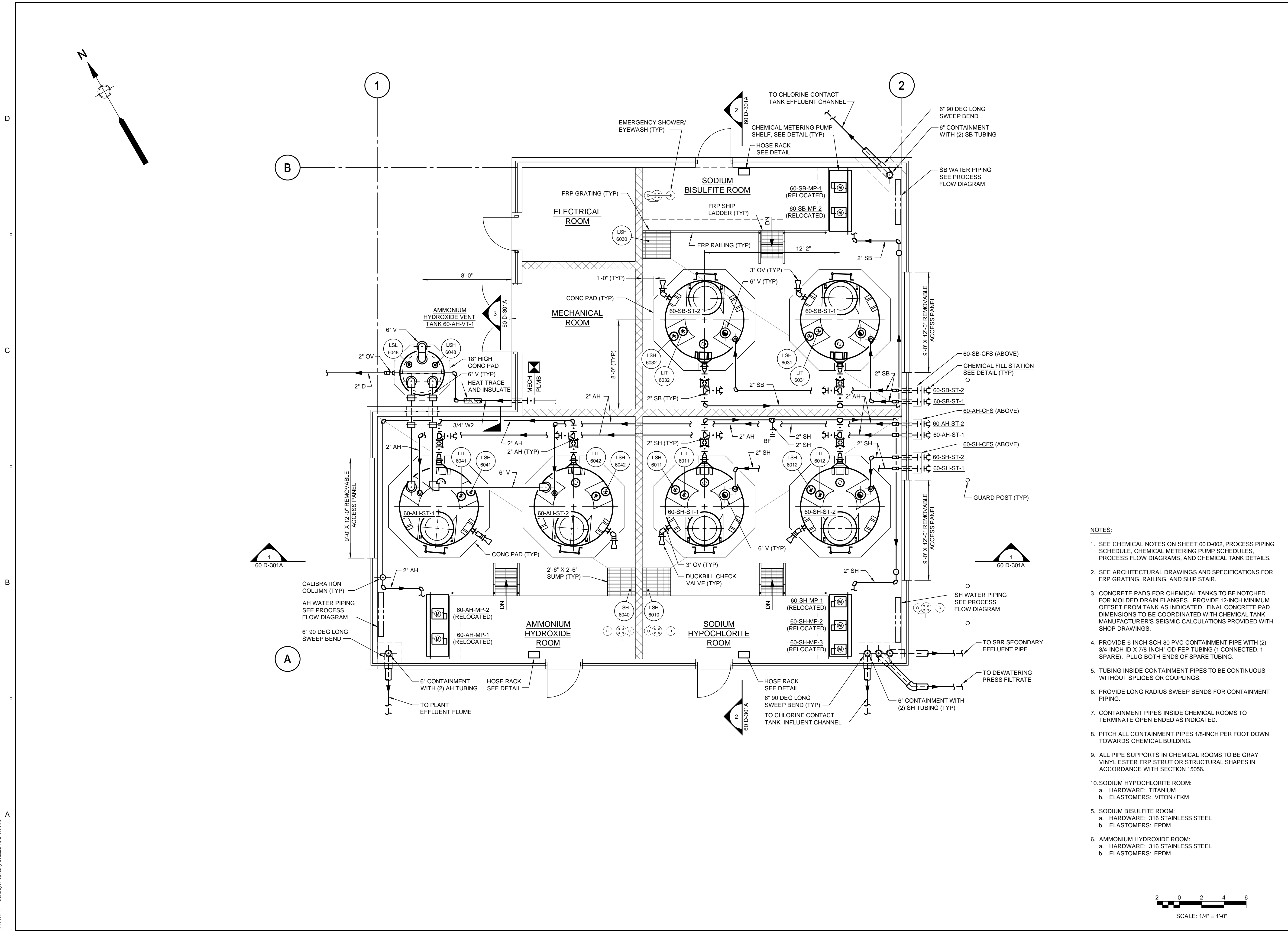


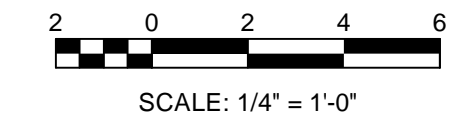
I/R	DATE	DESCRIPTION

60693508

Designed By:	DY
Drawn By:	NR
Dept Check:	KB
Proj Check:	EM
Date:	JANUARY 2025
Scale:	AS NOTED



- NOTES:**
- SEE CHEMICAL NOTES ON SHEET 00 D-002, PROCESS PIPING SCHEDULE, CHEMICAL METERING PUMP SCHEDULES, PROCESS FLOW DIAGRAMS, AND CHEMICAL TANK DETAILS.
  - SEE ARCHITECTURAL DRAWINGS AND SPECIFICATIONS FOR FRP GRATING, RAILING, AND SHIP STAIR.
  - CONCRETE PADS FOR CHEMICAL TANKS TO BE NOTCHED FOR MOLDED DRAIN FLANGES. PROVIDE 12-INCH MINIMUM OFFSET FROM TANK AS INDICATED. FINAL CONCRETE PAD DIMENSIONS TO BE COORDINATED WITH CHEMICAL TANK MANUFACTURER'S SEISMIC CALCULATIONS PROVIDED WITH SHOP DRAWINGS.
  - PROVIDE 6-INCH SCH 80 PVC CONTAINMENT PIPE WITH (2) 3/4-INCH ID X 7/8-INCH OD FEP TUBING (1 CONNECTED, 1 SPARE). PLUG BOTH ENDS OF SPARE TUBING.
  - TUBING INSIDE CONTAINMENT PIPES TO BE CONTINUOUS WITHOUT SPLICES OR COUPLINGS.
  - PROVIDE LONG RADIUS SWEEP BENDS FOR CONTAINMENT PIPING.
  - CONTAINMENT PIPES INSIDE CHEMICAL ROOMS TO TERMINATE OPEN ENDED AS INDICATED.
  - PITCH ALL CONTAINMENT PIPES 1/8-INCH PER FOOT DOWN TOWARDS CHEMICAL BUILDING.
  - ALL PIPE SUPPORTS IN CHEMICAL ROOMS TO BE GRAY VINYL ESTER FRP STRUT OR STRUCTURAL SHAPES IN ACCORDANCE WITH SECTION 15056.
  - SODIUM HYPOCHLORITE ROOM:
    - HARDWARE: TITANIUM
    - ELASTOMERS: VITON / FKM
  - SODIUM BISULFITE ROOM:
    - HARDWARE: 316 STAINLESS STEEL
    - ELASTOMERS: EPDM
  - AMMONIUM HYDROXIDE ROOM:
    - HARDWARE: 316 STAINLESS STEEL
    - ELASTOMERS: EPDM

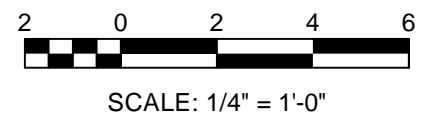
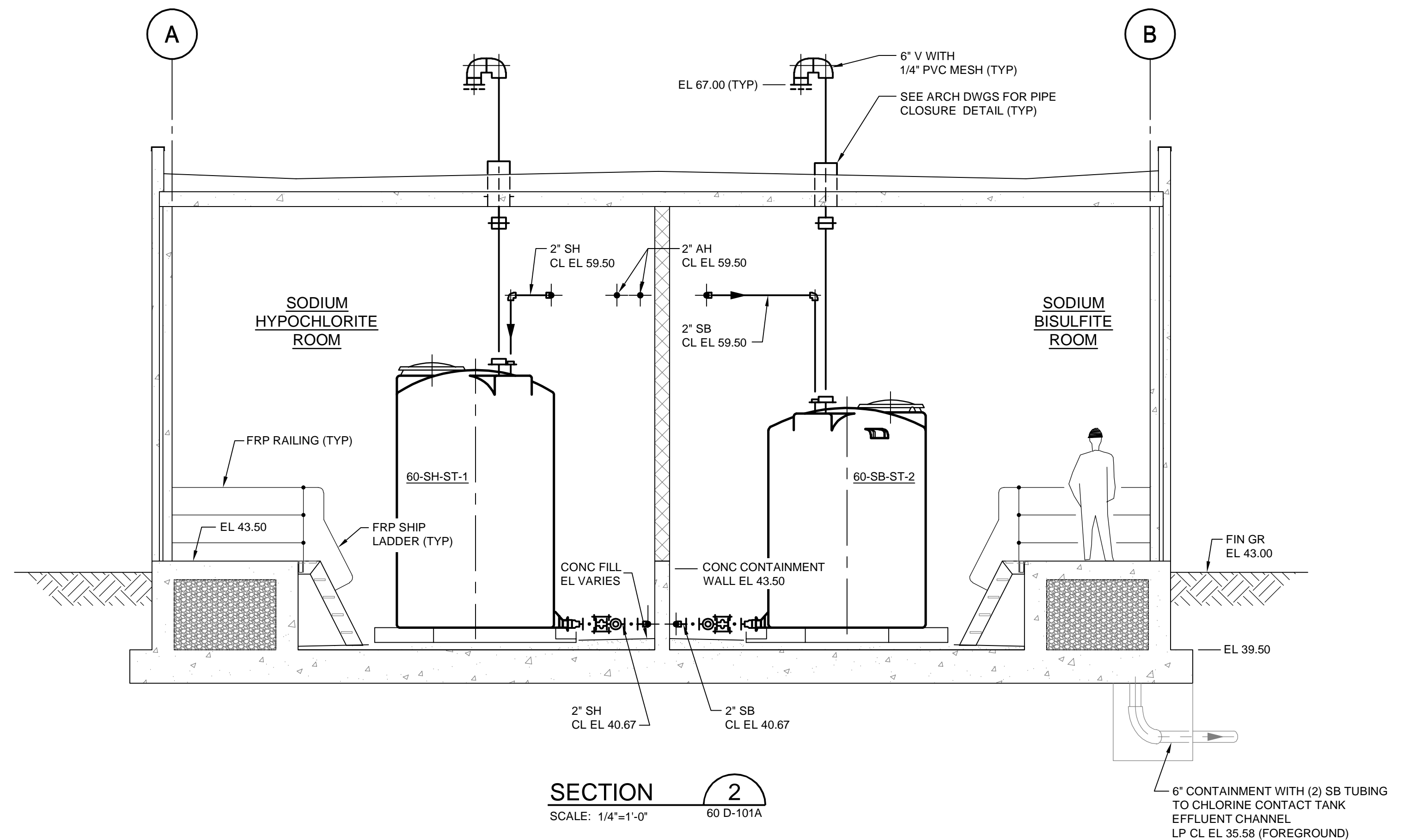
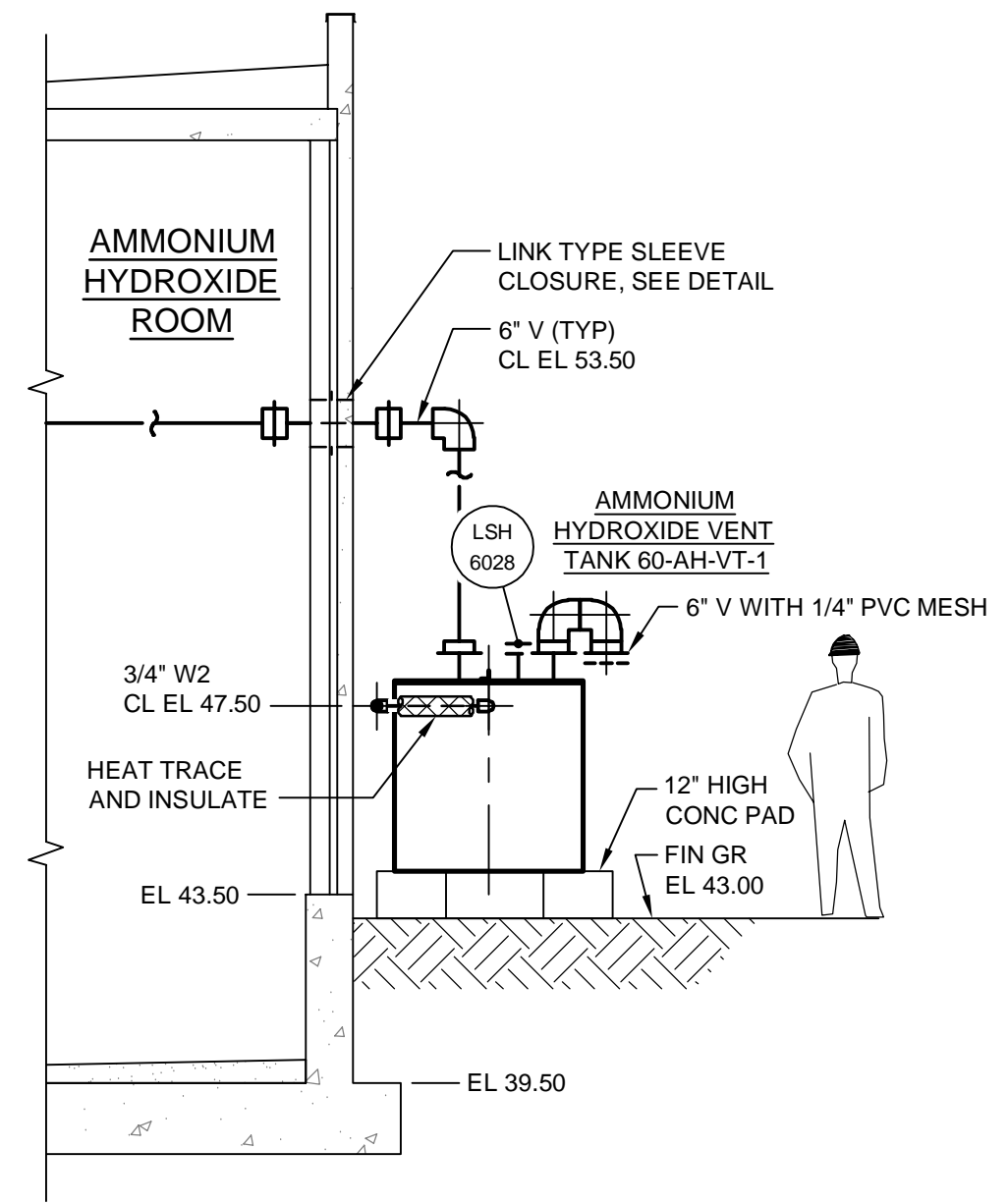
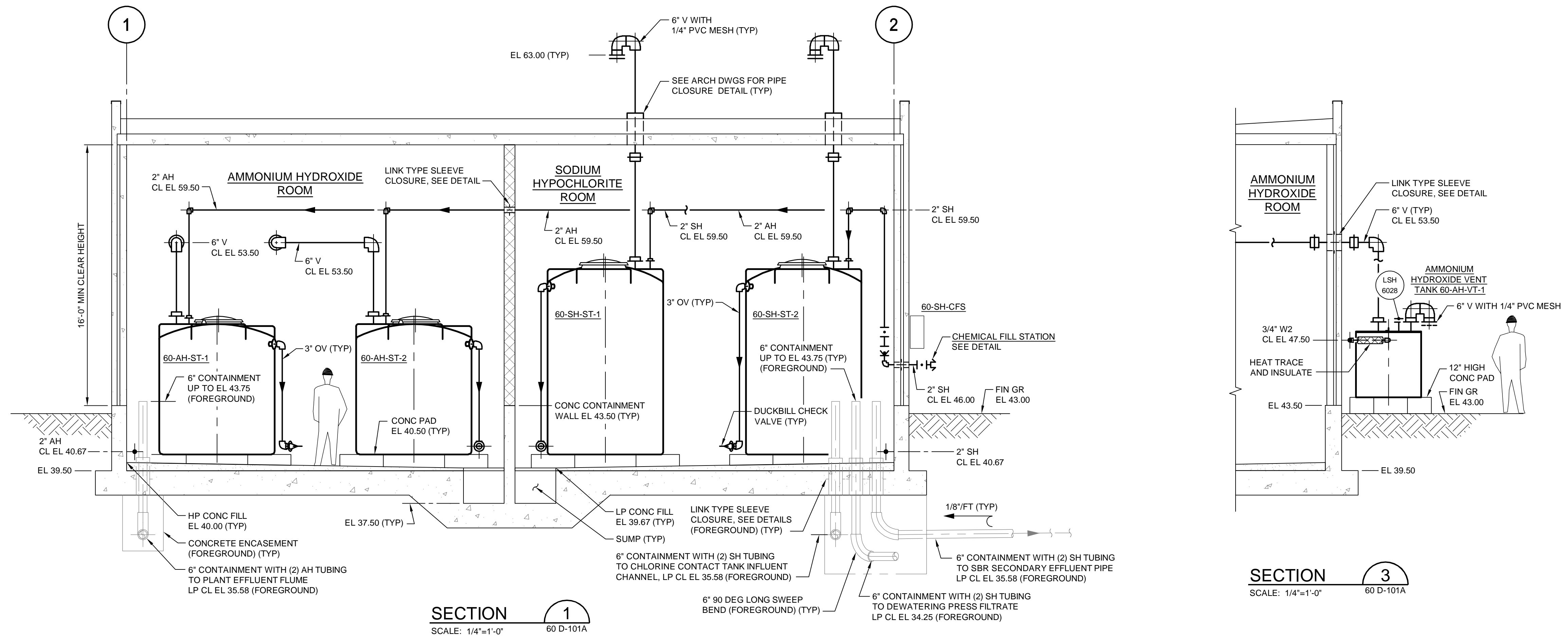


PATH: \\AECOM\PROJECTS\2025\01\60 D-101A.DWG  
 LAST UPDATE: Thursday, January 23, 2025 3:56:42 PM  
 PLOT DATE: Monday, February 3, 2025 10:24:47 AM

I/R	DATE	DESCRIPTION

60693508

Designed By:	DY
Drawn By:	NR
Dept Check:	KB
Proj Check:	EM
Date:	JANUARY 2025
Scale:	AS NOTED



PATH: I:\PROJECTS\2025\01\60693508\PEASE WWTFF REHABILITATION\PROJECT FILES\910-CAD\_BIM\20-SHEETS\60 D-301A.DWG  
 LAST UPDATE: Thursday, January 23, 2025 2:17:31 PM  
 PLOT DATE: Monday, February 3, 2025 10:24:50 AM